

(19)



(11)

**EP 3 672 361 B1**

(12)

**EUROPEAN PATENT SPECIFICATION**

(45) Date of publication and mention of the grant of the patent:  
**07.07.2021 Bulletin 2021/27**

(51) Int Cl.:  
**H05B 6/10<sup>(2006.01)</sup>**

(21) Application number: **18213507.9**

(22) Date of filing: **18.12.2018**

(54) **HEATING DEVICE**

HEIZVORRICHTUNG

DISPOSITIF DE CHAUFFAGE

(84) Designated Contracting States:  
**AL AT BE BG CH CY CZ DE DK EE ES FI FR GB GR HR HU IE IS IT LI LT LU LV MC MK MT NL NO PL PT RO RS SE SI SK SM TR**

• **DLUGOSZ, Rafal**  
**61-046 POZNAN (PL)**

(43) Date of publication of application:  
**24.06.2020 Bulletin 2020/26**

(74) Representative: **Manitz Finsterwald**  
**Patent- und Rechtsanwaltspartnerschaft mbB**  
**Postfach 31 02 20**  
**80102 München (DE)**

(73) Proprietor: **Aptiv Technologies Limited**  
**St. Michael (BB)**

(56) References cited:  
**EP-A1- 3 001 674 WO-A2-2018/015856**  
**US-A1- 2008 034 528 US-A1- 2010 078 427**  
**US-A1- 2018 170 314**

(72) Inventors:  
 • **DWORAKOWSKI, Waldemar**  
**30-603 KRAKOW (PL)**

**EP 3 672 361 B1**

Note: Within nine months of the publication of the mention of the grant of the European patent in the European Patent Bulletin, any person may give notice to the European Patent Office of opposition to that patent, in accordance with the Implementing Regulations. Notice of opposition shall not be deemed to have been filed until the opposition fee has been paid. (Art. 99(1) European Patent Convention).

**Description**

## TECHNICAL FIELD

[0001] The present disclosure relates generally to a heating device that clears condensation from a viewing window of a camera.

## BACKGROUND

[0002] The present disclosure relates more particularly to a heating device for a camera viewing window. Typical heating devices require electrical terminals and wiring attached to a windshield or cover-glass. United States Patent Application Publication Number 2006/0171704 A1 describes a heating element for heating a transparent camera lens cover that includes electrical terminals in contact with a surface of the transparent camera lens cover. Other applications describe a heating element positioned on a lens holder, and resilient contacts used to heat a camera lens. A windshield or cover-glass with a heating device in accordance with the preamble of claim 1 is known from EP 3 001 674 A1.

## SUMMARY OF THE DISCLOSURE

[0003] The present disclosure proposes to solve the above mentioned problem by providing a windshield or a cover-glass with a heating device comprising a housing retaining a camera lens, a primary induction coil positioned proximate the housing and configured to generate a magnetic field in response to receiving electrical power from a power supply, a controller circuit in electrical contact with the primary induction coil configured to control the electrical power delivered to the primary induction coil, and a secondary induction coil overlaying the primary induction coil configured to receive the magnetic field from the primary induction coil and generate heat. The secondary induction coil is in direct contact with the windshield or the cover-glass and defines a viewing window through which the camera lens views a surrounding area. The secondary induction coil heats the viewing window when the primary induction coil receives the electrical power.

[0004] According to other advantageous features of the present disclosure:

- the primary induction coil surrounds an optical axis of the camera lens;
- the controller circuit includes a low-Q resonant circuit in electrical communication with the primary induction coil;
- a temperature of the secondary induction coil is controlled by adjusting a voltage applied to the primary induction coil;
- a temperature of the secondary induction coil is controlled by adjusting a frequency of a signal delivered to the primary induction coil;

- the secondary induction coil is comprised of a first layer of resistive material and a second layer of low-Curie point ferrite;
- the secondary induction coil is located between glass layers of the windshield;
- the secondary induction coil is located on an inner surface of the windshield;
- the secondary induction coil is located on an outer surface of the windshield;
- the secondary induction coil is formed of a conductive material having a greater electrical resistance relative to the primary induction coil;
- the secondary induction coil is characterized as segmented, wherein adjoining segments are formed of materials having a different electrical conductivity from one another;
- a distance between the primary induction coil and the secondary induction coil is in a range from 0.0mm to 10.0mm;
- a number of windings on the primary induction coil is at least one;
- a number of windings on the secondary induction coil is at least one;
- the secondary induction coil has a thickness in a range from 1.0 $\mu$ m to 1000  $\mu$ m;
- the secondary induction coil has a width in a range from 0.1mm to 10mm.

## BRIEF DESCRIPTION OF THE DRAWINGS

[0005] The present disclosure is now described by way of example with reference to the accompanying drawings in which:

- figure 1 is an exploded perspective view of a heating device according to an embodiment of the disclosure;
- figure 2 is a section view of the heating device of figure 1;
- figure 3 is a section view of a portion of the heating device of figure 2;
- figure 4 is a schematic of the heating device of figure 1 illustrating a controller circuit.

## DESCRIPTION OF THE EMBODIMENTS

[0006] Hereinafter, a heating device 10 for a windshield 20 and/or a cover-glass according to an embodiment of the present disclosure will be described with reference to the figures. Figure 1 is an exploded perspective view illustrating the heating device 10, hereafter referred to as the device 10. The device 10 includes a housing 12 configured to retain a camera lens 14. The housing 12 may be formed of any material, such as a polymeric material, a ceramic, or a metal. The housing 12 may have a circular cross section or may have any other cross section, such as a rectilinear cross section. The housing 12 may include an imager 15 used to render an image of a surrounding

area. The camera lens 14 defines a field-of-view 16 and an optical axis 18 as illustrated in figure 1. The housing 12 may be mounted on a front of a vehicle, on sides of a vehicle, on a rear of a vehicle, or mounted in the interior of the vehicle at a location suitable for the camera to view the area around the vehicle through the windshield 20. In the examples illustrated herein, the housing 12 is mounted inside the vehicle with the view through the windshield 20.

**[0007]** The device 10 also includes a primary induction coil 22 positioned proximate the housing 12 and configured to generate a magnetic field 24 in response to receiving electrical power 26 from a power supply 28. The power supply 28 may be a direct-current (DC) power supply 28, or may be an alternating-current (AC) power supply 28. In the examples illustrated herein the power supply 28 is an AC power supply 28. The primary induction coil 22 surrounds the optical axis 18 of the camera lens 14 and may also surround a portion of the housing 12. A number of windings 30 (e.g., wires, conductive traces, etc.) on the primary induction coil 22 is at least one and are preferably wound onto a ferromagnetic core 32 (e.g. iron, ferrites, etc.). It will be appreciated that the number of windings 30 will increase with the increasing size of the area required to be heated. It will also be appreciated that the ferromagnetic core 32 may be omitted (i.e., an air core coil) depending on packaging and weight constraints. A single winding 30 (i.e. a single wire) of the primary induction coil 22 may be any diameter, and in the examples illustrated herein, preferably has the diameter in a range from 0.2mm to 1.0mm. The windings 30 may be formed of any electrically conductive material, such as copper alloys or aluminum alloys and may include a dielectric layer on a surface of the windings 30.

**[0008]** The device 10 also includes a controller circuit 34 in electrical contact with the primary induction coil 22. The power supply 28 may be separate or integral to the controller circuit 34, and in the examples illustrated herein, the power supply 28 is integral to the controller circuit 34. The controller circuit 34 is configured to control the electrical power 26 delivered to the primary induction coil 22. The controller circuit 34 may include a processor (not shown) such as a microprocessor or other control circuitry such as analog and/or digital control circuitry including an application specific integrated circuit (ASIC) for processing data as should be evident to those in the art. The controller circuit 34 may include a memory (not shown), including non-volatile memory, such as electrically erasable programmable read-only memory (EEPROM) for storing one or more routines, thresholds, and captured data. The one or more routines may be executed by the processor to perform steps for determining the electrical power 26 delivered to the primary induction coil 22 based on signals received by the controller circuit 34 from the primary induction coil 22, as described herein.

**[0009]** The device 10 also includes a secondary induction coil 36 overlaying the primary induction coil 22. The secondary induction coil 36 is configured to receive the

magnetic field 24 from the primary induction coil 22, thereby generating heat 38. The magnetic field 24 from the primary induction coil 22 induces an electrical current in the secondary induction coil 36. The induced electrical current in the secondary induction coil 36 causes the secondary induction coil 36 to increase in temperature because the secondary induction coil 36 is formed of a material that has an electrical resistance. The electrical resistance of the secondary induction coil 36 resists the flow of electrical current within the secondary induction coil 36, which generates the heat 38 (also known as Joule heating or Ohmic heating). It will be appreciated that no wire connections exist between the primary induction coil 22 and the secondary induction coil 36. This has the technical benefit of reducing a size and complexity of the overall assembly. The secondary induction coil 36 also surrounds the optical axis 18 and is in direct contact with the windshield 20 of the vehicle. In the example illustrated in figure 1, the secondary induction coil 36 is located on an inner surface 42 of the windshield 20. In an alternative embodiment the secondary induction coil 36 may be located on an outer surface 43 of the windshield 20.

**[0010]** The secondary induction coil 36 defines a viewing window 40 through which the camera lens 14 views the surrounding area. That is, an inner diameter of the secondary induction coil 36, as illustrated in figure 1, creates a "window" through which light rays may pass to the camera lens 14 and imager 15. The secondary induction coil 36 heats the viewing window 40 and removes condensation (e.g., fog, ice, etc.) when the primary induction coil 22 receives the electrical power 26 from the controller circuit 34. A heating rate and a maximum temperature is controlled to inhibit a thermal shock to the windshield 20, and also to prevent an unsafe surface temperature of the windshield 20 for human contact.

**[0011]** Figure 2 is a section view of the device 10 and illustrates an embodiment where the secondary induction coil 36 is located between glass layers 44 of the windshield 20. A distance 46 between the primary induction coil 22 and the secondary induction coil 36 is preferably in a range from 0.0mm to about 10.0mm. The distance 46 primarily impacts a coupling of the primary induction coil 22 and the secondary induction coil 36.

**[0012]** The number of windings 30 on the secondary induction coil 36 is at least one, and may be increased to achieve a specific temperature profile applied to the windshield 20. The windings 30 on the secondary induction coil 36 may be a single flat winding 30 that may be deposited using a thick-film ink, for example. The secondary induction coil 36 as illustrated in figure 2 has a thickness 48 in the range from about 1 $\mu$ m to about 1000 $\mu$ m. The thickness 48 may be adjusted based on the type of material comprising the secondary induction coil 36, and based on a frequency 50 of the electrical power 26 delivered to the primary induction coil 22. In an embodiment, the secondary induction coil 36 has a thickness 48 of 400 $\mu$ m and is formed of a material with a low relative magnetic permeability (e.g., silver, aluminum,

etc.). In another embodiment, the secondary induction coil 36 is formed of a material having higher relative magnetic permeability (e.g., iron) having a thickness 48 of 15 $\mu$ m. The thickness 48 may also be reduced by increasing the frequency 50 of the of the electrical power 26 delivered to the primary induction coil 22. The secondary induction coil 36 has a width 49 in a range from about 0.1mm to 10mm, and preferably has the width 49 of about 5mm due to packaging constraints on the windshield 20. It will be appreciated that the width 49 of the secondary induction coil 36 affects the heat transfer to the windshield 20. The width 49 may be user defined depending on a desired heating profile for the windshield 20.

[0013] Figure 3 is a magnified view of a portion of the device 10 of figure 1. The secondary induction coil 36 is preferably comprised of a first layer 52 of resistive material that dissipates the power transmitted by the magnetic field 24, and a second layer 54 of low-Curie point ferrite. When the secondary induction coil 36 reaches a Curie point temperature (e.g. approximately 90 degrees Celsius for a Mn-Zn ferrite at 8 $\mu$ m-9 $\mu$ m thickness 48), the magnetic permeability of the second layer 54 is decreased, thereby reducing the induced heating of the secondary induction coil 36. This reduction of the induced heating of the secondary induction coil 36 changes a resonant-frequency of a control circuit 56, the benefit of which will be described in more detail below. Preferably, the secondary induction coil 36 is formed of a conductive material having a greater electrical resistance than that of the primary induction coil 22. The first layer 52 and the second layer 54 may also have a protective coating (not specifically shown) applied to their exposed surfaces to improve a durability of the layers.

[0014] Referring back to figure 1, the secondary induction coil 36 may be characterized as segmented 58, wherein adjoining segments 58 are formed of materials having a different electrical conductivity from one another. That is, a first segment may have a relatively low electrical resistance thereby emitting a relatively low quantity of heat 38, wherein a second segment in contact with the first segment may have a higher electrical resistance compared to the first segment, thereby emitting a larger quantity of heat 38 than the first segment. This segmentation 58 has the technical benefit of enabling a specific heating profile on the windshield 20. For example, preferentially heating corners of a rectangular viewing window 40 where the corners are a greater length away from the optical axis 18 compared to a side of the rectangular viewing window 40 that may be closer to the optical axis 18. It will be appreciated that other patterns of segmentation 58 are possible based on a geometry of the viewing window 40.

[0015] Figure 4 is a schematic diagram of the device 10 illustrating the controller circuit 34. The controller circuit 34 preferably includes a low-Q resonant control circuit 56 in electrical communication with the primary induction coil 22. A Q-factor (i.e., quality factor) of an electronic circuit is a parameter that describes the resonance

behavior of a harmonic oscillator or resonator. The low-Q factor is indicative of an overdamped system that does not resonate or oscillate. The low-Q resonant control circuit 56 has the technical benefit of improved temperature control in the secondary induction coil 36. It will be appreciated that the values of capacitors C1 and C2 (not specifically shown) may be selected to achieve the desired resonant-frequency to drive the secondary induction coil 36 and produce the desired heat 38. The temperature of the secondary induction coil 36 may be controlled by adjusting a voltage 62 applied to, and/or adjusting the frequency 50 of a signal delivered to, the primary induction coil 22 through the MOSFETs M1 and M2 (not specifically shown) and through the power supply 28. The controller circuit 34 is configured to monitor an impedance of the primary induction coil 22, which is directly related to the temperature of the secondary induction coil 36, and controls the voltage 62 and/or frequency 50 (e.g. 40kHz) to maintain proper operation of the control circuit 56. This method of temperature measurement has the technical benefit of eliminating a separate temperature sensor mounted to the windshield 20.

## 25 Claims

1. A windshield (20) or a cover-glass with a heating device (10), the heating device (10) comprising:

30 a housing (12) retaining a camera lens (14);  
 a primary induction coil (22) positioned proximate the housing (12) and configured to generate a magnetic field (24) in response to receiving electrical power (26) from a power supply (28);  
 35 a controller circuit (34) in electrical contact with the primary induction coil (22) configured to control the electrical power (26) delivered to the primary induction coil (22); and  
 a secondary induction coil (36) overlaying the primary induction coil (22) configured to receive the magnetic field (24) from the primary induction coil (22) and generate heat (38);

### characterized in that

40 the secondary induction coil (36) is in direct contact with the windshield (20) or the cover-glass and defines a viewing window (40) through which the camera lens (14) views a surrounding area;

45 whereby the secondary induction coil (36) heats the viewing window (40) when the primary induction coil (22) receives the electrical power (26).

2. The windshield (20) or cover-glass in accordance with claim 1, wherein the primary induction coil (22) surrounds an optical axis (18) of the camera lens (14).

3. The windshield (20) or cover-glass in accordance with any one of the preceding claims, wherein the controller circuit (34) includes a low-Q resonant circuit in electrical communication with the primary induction coil (22). 5
4. The windshield (20) or cover-glass in accordance with any one of the preceding claims, wherein a temperature of the secondary induction coil (36) is controlled by adjusting a voltage (62) applied to the primary induction coil (22). 10
5. The windshield (20) or cover-glass in accordance with any one of the preceding claims, wherein a temperature of the secondary induction coil (36) is controlled by adjusting a frequency (50) of a signal delivered to the primary induction coil (22). 15
6. The windshield (20) or cover-glass in accordance with any one of the preceding claims, wherein the secondary induction coil (36) is comprised of a first layer (52) of resistive material and a second layer (54) of low-Curie point ferrite. 20
7. The windshield (20) or cover-glass in accordance with any one of the preceding claims, wherein the secondary induction coil (36) is located between glass layers (44) of the windshield (20). 25
8. The windshield (20) or cover-glass in accordance with any one of the preceding claims, wherein the secondary induction coil (36) is located on an inner surface (42) of the windshield (20). 30
9. The windshield (20) or cover-glass in accordance with any one of the preceding claims, wherein the secondary induction coil (36) is formed of a conductive material having a greater electrical resistance relative to the primary induction coil (22). 35
10. The windshield (20) or cover-glass in accordance with any one of the preceding claims, wherein the secondary induction coil (36) is characterized as segmented (58), wherein adjoining segments (58) are formed of materials having a different electrical conductivity from one another. 40
11. The windshield (20) or cover-glass in accordance with any one of the preceding claims, wherein a distance (46) between the primary induction coil (22) and the secondary induction coil (36) is in a range from 0.0mm to 10.0mm. 50
12. The windshield (20) or cover-glass in accordance with any one of the preceding claims, wherein a number of windings (30) on the primary induction coil (22) is at least one, or a number of windings (30) on the secondary induc-

tion coil (36) is at least one.

13. The windshield (20) or cover-glass in accordance with any one of the preceding claims, wherein the secondary induction coil (36) has a thickness (48) in a range from 1 $\mu$ m to 1000 $\mu$ m. 5
14. The windshield (20) or cover-glass in accordance with any one of the preceding claims, wherein the secondary induction coil (36) has a width (49) in a range from 0.1mm to 10mm. 10
15. Use of a heating device (10), the heating device (10) comprising: 15
- a housing (12) retaining a camera lens (14);  
 a primary induction coil (22) positioned proximate the housing (12) and configured to generate a magnetic field (24) in response to receiving electrical power (26) from a power supply (28);  
 a controller circuit (34) in electrical contact with the primary induction coil (22) configured to control the electrical power (26) delivered to the primary induction coil (22); and  
 a secondary induction coil (36) overlaying the primary induction coil (22) configured to receive the magnetic field (24) from the primary induction coil (22) and generate heat (38);  
 wherein  
 the secondary induction coil (36) is in direct contact with a windshield (20) of a vehicle or a cover-glass and defines a viewing window (40) through which the camera lens (14) views a surrounding area;  
 whereby the secondary induction coil (36) heats the viewing window (40) when the primary induction coil (22) receives the electrical power (26). 20

#### Patentansprüche

1. Windschutzscheibe (20) oder Abdeckscheibe mit einer Heizvorrichtung (10), wobei die Heizvorrichtung (10) umfasst: 45
- ein Gehäuse (12), das ein Kameraobjektiv (14) aufnimmt;  
 eine primäre Induktionsspule (22), die in der Nähe des Gehäuses (12) positioniert und so konfiguriert ist, dass sie ein Magnetfeld (24) als Reaktion auf den Empfang von elektrischer Leistung (26) von einer Stromversorgung (28) erzeugt;  
 eine Steuerungsschaltung (34), die in elektrischem Kontakt mit der primären Induktionsspule (22) steht und so konfiguriert ist, dass sie die der primären Induktionsspule (22) zugeführte

- elektrische Leistung (26) steuert; und eine sekundäre Induktionsspule (36), die die primäre Induktionsspule (22) überlagert und so konfiguriert ist, dass sie das Magnetfeld (24) von der primären Induktionsspule (22) empfängt und Wärme (38) erzeugt;
- dadurch gekennzeichnet, dass** die sekundäre Induktionsspule (36) in direktem Kontakt mit der Windschutzscheibe (20) oder der Abdeckscheibe steht und ein Sichtfenster (40) definiert, durch welches hindurch das Kameraobjektiv (14) einen umgebenden Bereich betrachtet;
- wobei die sekundäre Induktionsspule (36) das Sichtfenster (40) erwärmt, wenn die primäre Induktionsspule (22) die elektrische Leistung (26) empfängt.
2. Windschutzscheibe (20) oder Abdeckscheibe nach Anspruch 1, wobei die primäre Induktionsspule (22) eine optische Achse (18) des Kameraobjektivs (14) umgibt.
  3. Windschutzscheibe (20) oder Abdeckscheibe nach einem der vorhergehenden Ansprüche, wobei die Steuerungsschaltung (34) einen Resonanzkreis mit geringer Güte in elektrischer Verbindung mit der primären Induktionsspule (22) enthält.
  4. Windschutzscheibe (20) oder Abdeckscheibe nach einem der vorhergehenden Ansprüche, wobei eine Temperatur der sekundären Induktionsspule (36) durch Einstellen einer an die primäre Induktionsspule (22) angelegten Spannung (62) gesteuert wird.
  5. Windschutzscheibe (20) oder Abdeckscheibe nach einem der vorhergehenden Ansprüche, wobei eine Temperatur der sekundären Induktionsspule (36) durch Einstellen einer Frequenz (50) eines an die primäre Induktionsspule (22) gelieferten Signals gesteuert wird.
  6. Windschutzscheibe (20) oder Abdeckscheibe nach einem der vorhergehenden Ansprüche, wobei die sekundäre Induktionsspule (36) aus einer ersten Schicht (52) aus Widerstandsmaterial und einer zweiten Schicht (54) aus Ferrit mit niedrigem Curiepunkt besteht.
  7. Windschutzscheibe (20) oder Abdeckscheibe nach einem der vorhergehenden Ansprüche, wobei die sekundäre Induktionsspule (36) zwischen Glaschichten (44) der Windschutzscheibe (20) angeordnet ist.
  8. Windschutzscheibe (20) oder Abdeckscheibe nach einem der vorhergehenden Ansprüche, wobei die sekundäre Induktionsspule (36) an einer Innenfläche (42) der Windschutzscheibe (20) angeordnet ist.
  9. Windschutzscheibe (20) oder Abdeckscheibe nach einem der vorhergehenden Ansprüche, wobei die sekundäre Induktionsspule (36) aus einem leitfähigen Material gebildet ist, das einen größeren elektrischen Widerstand als die primäre Induktionsspule (22) aufweist.
  10. Windschutzscheibe (20) oder Abdeckscheibe nach einem der vorhergehenden Ansprüche, wobei die sekundäre Induktionsspule (36) als segmentiert (58) beschrieben ist, wobei benachbarte Segmente (58) aus Materialien gebildet sind, die eine voneinander verschiedene elektrische Leitfähigkeit aufweisen.
  11. Windschutzscheibe (20) oder Abdeckscheibe nach einem der vorhergehenden Ansprüche, wobei ein Abstand (46) zwischen der primären Induktionsspule (22) und der sekundären Induktionsspule (36) in einem Bereich von 0,0 mm bis 10,0 mm liegt.
  12. Windschutzscheibe (20) oder Abdeckscheibe nach einem der vorhergehenden Ansprüche, wobei eine Anzahl von Wicklungen (30) an der primären Induktionsspule (22) mindestens eins ist, oder eine Anzahl von Wicklungen (30) an der sekundären Induktionsspule (36) mindestens eins ist.
  13. Windschutzscheibe (20) oder Abdeckscheibe nach einem der vorhergehenden Ansprüche, wobei die sekundäre Induktionsspule (36) eine Dicke (48) in einem Bereich von 1  $\mu\text{m}$  bis 1000  $\mu\text{m}$  aufweist.
  14. Windschutzscheibe (20) oder Abdeckscheibe nach einem der vorhergehenden Ansprüche, wobei die sekundäre Induktionsspule (36) eine Breite (49) in einem Bereich von 0,1 mm bis 10 mm aufweist.
  15. Verwendung einer Heizvorrichtung (10), wobei die Heizvorrichtung (10) umfasst:
    - ein Gehäuse (12), das ein Kameraobjektiv (14) aufnimmt;
    - eine primäre Induktionsspule (22), die in der Nähe des Gehäuses (12) positioniert und so konfiguriert ist, dass sie ein Magnetfeld (24) als Reaktion auf den Empfang von elektrischer Leistung (26) von einer Stromversorgung (28) erzeugt;
    - eine Steuerungsschaltung (34), die in elektrischem Kontakt mit der primären Induktionsspule (22) steht und so konfiguriert ist, dass sie die der primären Induktionsspule (22) zugeführte elektrische Leistung (26) steuert; und
    - eine sekundäre Induktionsspule (36), die die primäre Induktionsspule (22) überlagert und so konfiguriert ist, dass sie das Magnetfeld (24) von

der primären Induktionsspule (22) empfängt und Wärme (38) erzeugt;

wobei

die sekundäre Induktionsspule (36) in direktem Kontakt mit einer Windschutzscheibe (20) eines Fahrzeugs oder einer Abdeckscheibe steht und ein Sichtfenster (40) definiert, durch welches hindurch das Kameraobjektiv (14) einen umgebenden Bereich betrachtet;

wobei die sekundäre Induktionsspule (36) das Sichtfenster (40) erwärmt, wenn die primäre Induktionsspule (22) die elektrische Leistung (26) empfängt.

## Revendications

1. Pare-brise (20) ou verre de recouvrement équipé d'un dispositif de chauffage (10), le dispositif de chauffage (10) comprenant :

un boîtier (12) contenant un objectif de caméra (14) ;

une bobine d'induction primaire (22) positionnée à proximité du boîtier (12) et configurée pour générer un champ magnétique (24) en réponse à la réception d'une énergie électrique (26) provenant d'une alimentation électrique (28) ;

un circuit de commande (34) en contact électrique avec la bobine d'induction primaire (22), configuré pour commander l'énergie électrique (26) délivrée à la bobine d'induction primaire (22) ; et

une bobine d'induction secondaire (36) recouvrant la bobine d'induction primaire (22), configurée pour recevoir le champ magnétique (24) provenant de la bobine d'induction primaire (22) et générer de la chaleur (38) ;

### caractérisé en ce que

la bobine d'induction secondaire (36) est en contact direct avec le pare-brise (20) ou le verre de recouvrement et définit une fenêtre de visualisation (40) à travers laquelle l'objectif de caméra (14) voit une zone environnante ;

de sorte que la bobine d'induction secondaire (36) chauffe la fenêtre de visualisation (40) lorsque la bobine d'induction primaire (22) reçoit l'énergie électrique (26).

2. Pare-brise (20) ou verre de recouvrement selon la revendication 1, dans lequel la bobine d'induction primaire (22) entoure un axe optique (18) de l'objectif de caméra (14).

3. Pare-brise (20) ou verre de recouvrement selon l'une quelconque des revendications précédentes, dans lequel le circuit de commande (34) inclut un circuit résonant à faible Q en communication électrique

avec la bobine d'induction primaire (22).

4. Pare-brise (20) ou verre de recouvrement selon l'une quelconque des revendications précédentes, dans lequel une température de la bobine d'induction secondaire (36) est commandée en ajustant une tension (62) appliquée à la bobine d'induction primaire (22).

5. Pare-brise (20) ou verre de recouvrement selon l'une quelconque des revendications précédentes, dans lequel une température de la bobine d'induction secondaire (36) est commandée en ajustant une fréquence (50) d'un signal délivré à la bobine d'induction primaire (22).

6. Pare-brise (20) ou verre de recouvrement selon l'une quelconque des revendications précédentes, dans lequel la bobine d'induction secondaire (36) est constituée d'une première couche (52) de matériau résistif et d'une seconde couche (54) de ferrite à faible point de Curie.

7. Pare-brise (20) ou verre de recouvrement selon l'une quelconque des revendications précédentes, dans lequel la bobine d'induction secondaire (36) est située entre des couches de verre (44) du pare-brise (20).

8. Pare-brise (20) ou verre de recouvrement selon l'une quelconque des revendications précédentes, dans lequel la bobine d'induction secondaire (36) est située sur une surface intérieure (42) du pare-brise (20).

9. Pare-brise (20) ou verre de recouvrement selon l'une quelconque des revendications précédentes, dans lequel la bobine d'induction secondaire (36) est formée d'un matériau conducteur ayant une résistance électrique supérieure à celle de la bobine d'induction primaire (22).

10. Pare-brise (20) ou verre de recouvrement selon l'une quelconque des revendications précédentes, dans lequel la bobine d'induction secondaire (36) est caractérisée comme étant segmentée (58), dans lequel des segments adjacents (58) sont formés de matériaux ayant une conductivité électrique différente l'un de l'autre.

11. Pare-brise (20) ou verre de recouvrement selon l'une quelconque des revendications précédentes, dans lequel une distance (46) entre la bobine d'induction primaire (22) et la bobine d'induction secondaire (36) se situe dans une plage de 0,0 mm à 10,0 mm.

12. Pare-brise (20) ou verre de recouvrement selon l'une quelconque des revendications précédentes, dans

lequel

un nombre d'enroulements (30) sur la bobine d'induction primaire (22) est d'au moins un, ou un nombre d'enroulements (30) sur la bobine d'induction secondaire (36) est d'au moins un.

5

13. Pare-brise (20) ou verre de recouvrement selon l'une quelconque des revendications précédentes, dans lequel la bobine d'induction secondaire (36) a une épaisseur (48) se situant dans une plage de 1,0  $\mu\text{m}$  à 1000  $\mu\text{m}$ .

10

14. Pare-brise (20) ou verre de recouvrement selon l'une quelconque des revendications précédentes, dans lequel la bobine d'induction secondaire (36) a une largeur (49) se situant dans une plage de 0,1 mm à 10 mm.

15

15. Utilisation d'un dispositif de chauffage (10), le dispositif de chauffage (10) comprenant :

20

un boîtier (12) contenant un objectif de caméra (14) ;

une bobine d'induction primaire (22) positionnée à proximité du boîtier (12) et configurée pour générer un champ magnétique (24) en réponse à la réception d'une énergie électrique (26) provenant d'une alimentation électrique (28) ;

25

un circuit de commande (34) en contact électrique avec la bobine d'induction primaire (22), configuré pour commander l'énergie électrique (26) délivrée à la bobine d'induction primaire (22) ; et

30

une bobine d'induction secondaire (36) recouvrant la bobine d'induction primaire (22), configurée pour recevoir le champ magnétique (24) provenant de la bobine d'induction primaire (22) et générer de la chaleur (38) ;

35

dans laquelle

la bobine d'induction secondaire (36) est en contact direct avec le pare-brise (20) d'un véhicule ou le verre de recouvrement et définit une fenêtre de visualisation (40) à travers laquelle l'objectif de caméra (14) voit une zone environnante ;

40

45

de sorte que la bobine d'induction secondaire (36) chauffe la fenêtre de visualisation (40) lorsque la bobine d'induction primaire (22) reçoit l'énergie électrique (26).

50

55



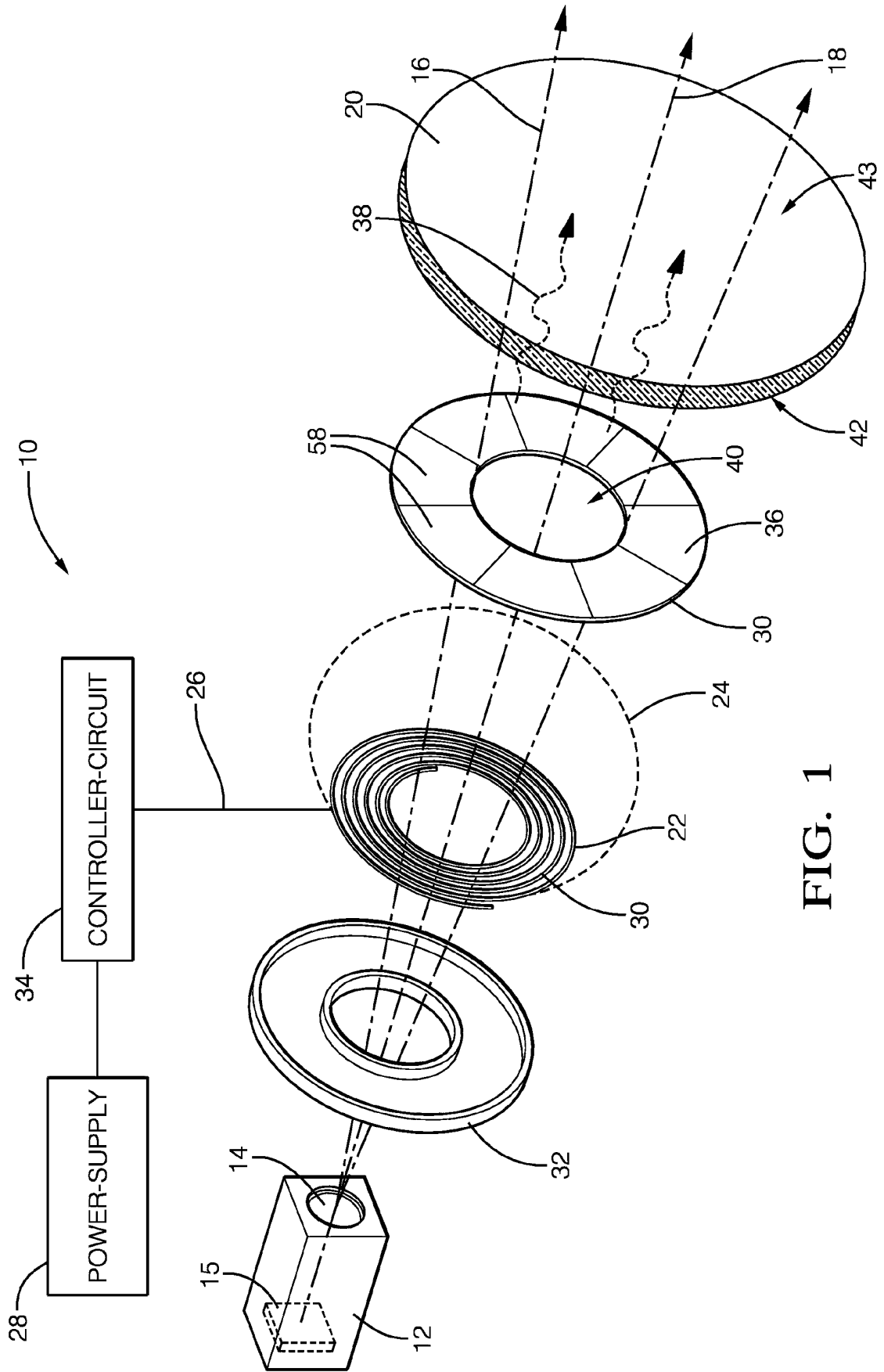


FIG. 1

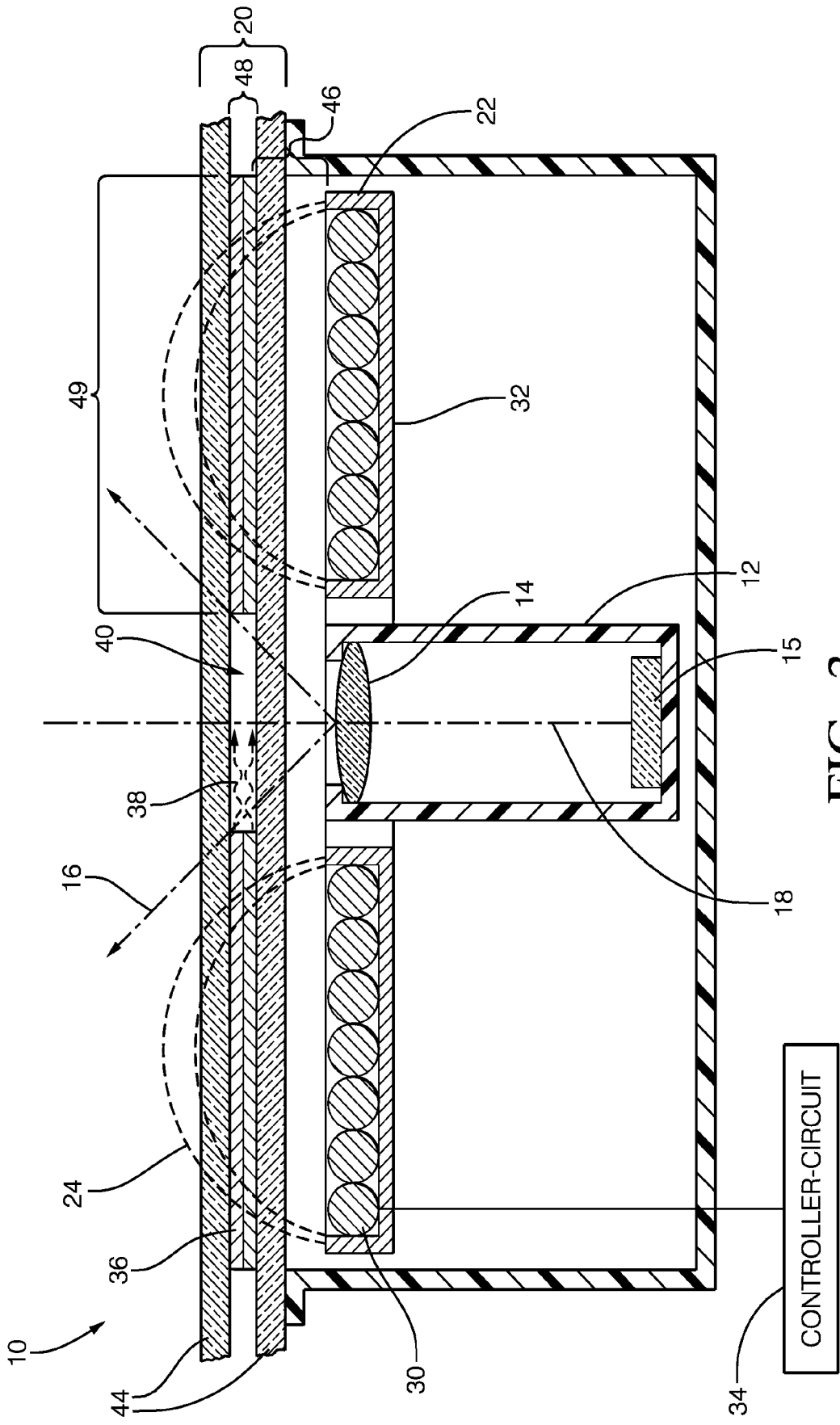


FIG. 2

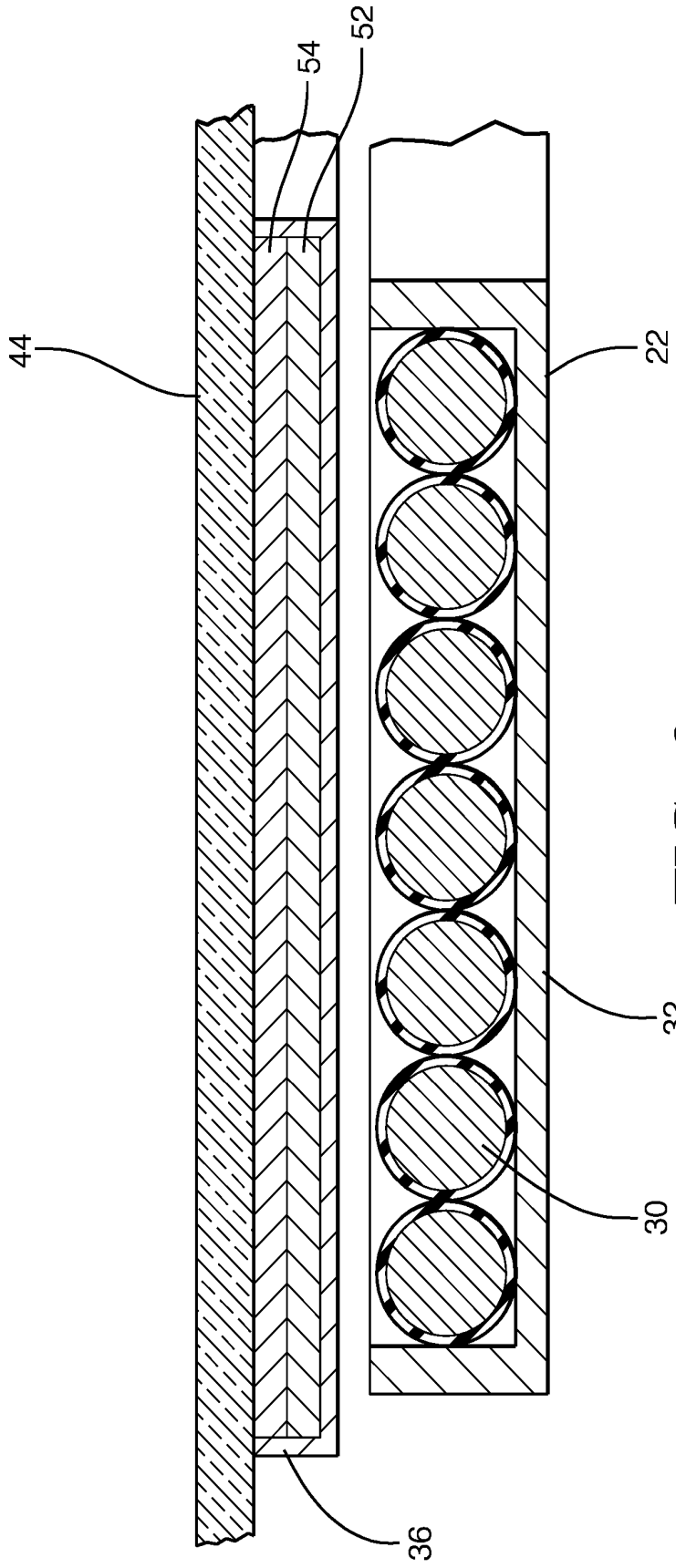


FIG. 3

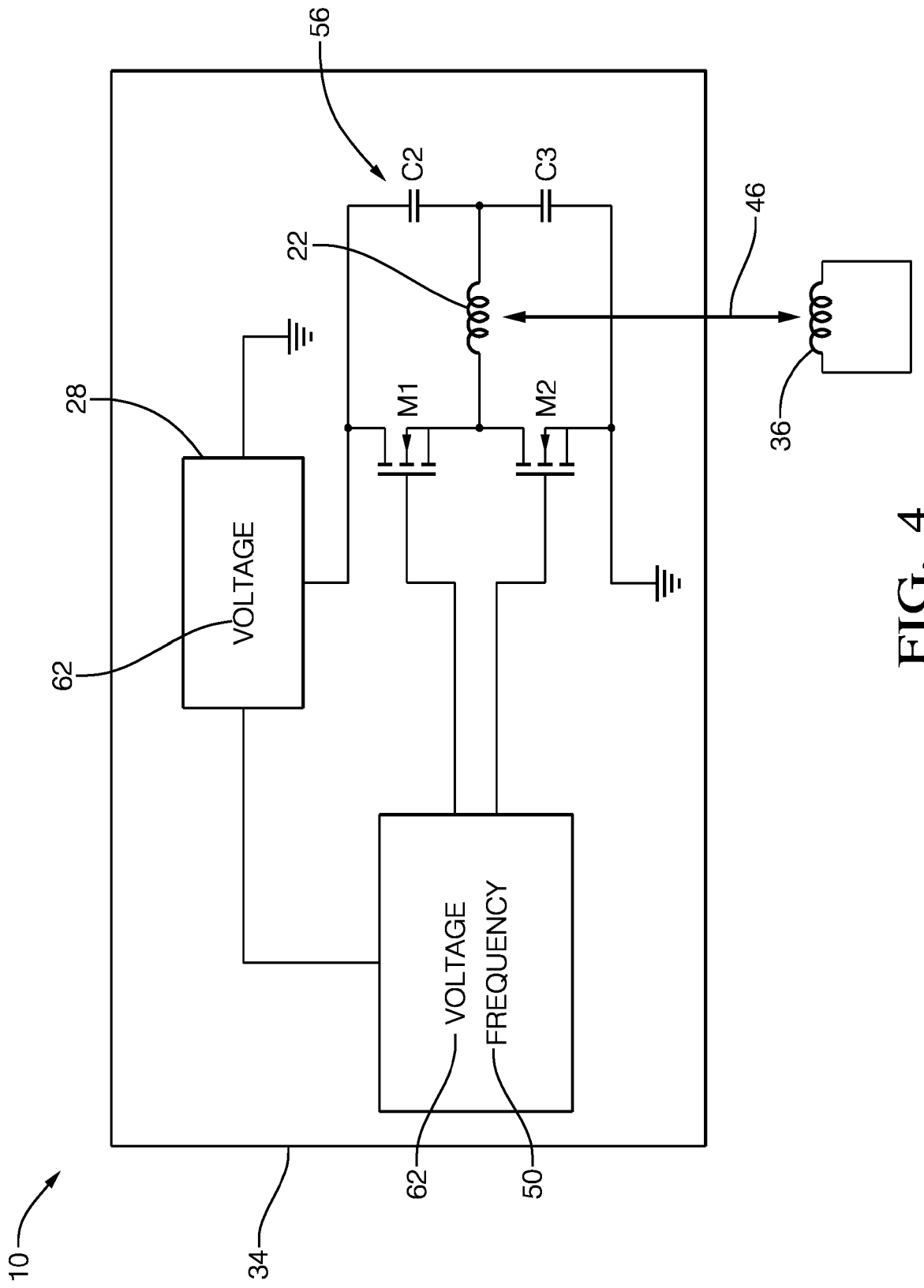


FIG. 4

**REFERENCES CITED IN THE DESCRIPTION**

*This list of references cited by the applicant is for the reader's convenience only. It does not form part of the European patent document. Even though great care has been taken in compiling the references, errors or omissions cannot be excluded and the EPO disclaims all liability in this regard.*

**Patent documents cited in the description**

- US 20060171704 A1 [0002]
- EP 3001674 A1 [0002]